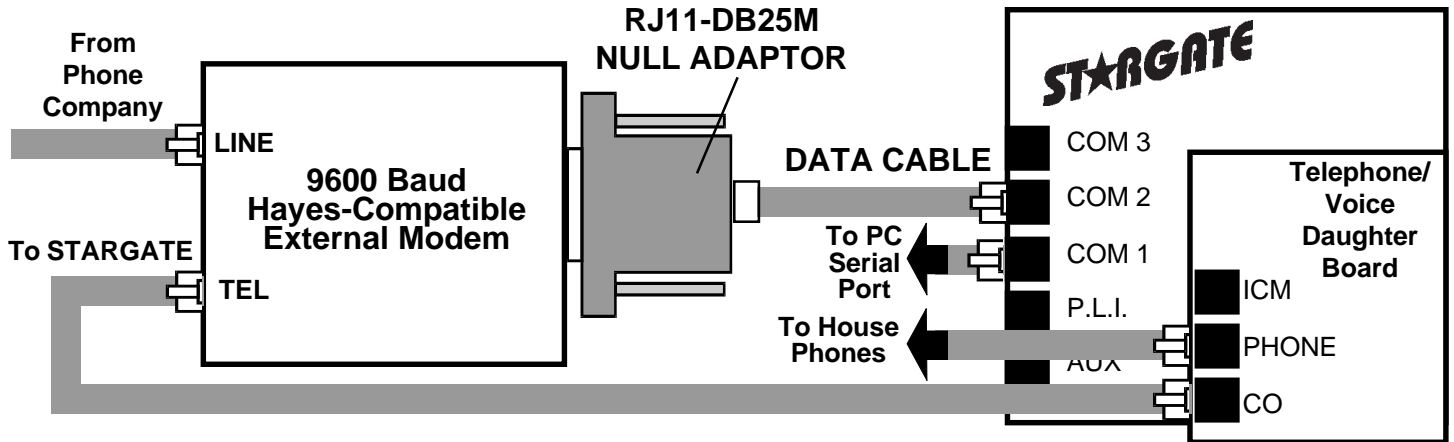


SHARING A PHONE LINE WITH STARGATE AND A MODEM

When a dedicated modem line is not available, STARGATE can share a telephone line with a modem. In addition to facilitating modem access, the following method provides added security since the modem goes undetected by callers unless a special touchtone code is entered during the voicemail greeting. When you dial in from your remote pc, the dial string includes the phone number plus the specific touchtone access code that triggers STARGATE to instruct the modem to go on line (ATA). Once connected via modem, the phone line gets disconnected from the house phones, preventing accidental interruptions to the modem session.



CONNECTIONS

- 1) Connect Stargate's COM1 to your pc serial port.
- 2) Click DEFINE - COM Ports - COM2*
- 3) Select MODE = Modem, Baud Rate = 9600, Comm Parameters = N81, Click OK.
- 4) Plug one end of the modem data cable into COM2* of Stargate, the other end into the RJ11 side of the null adaptor.
- 5) Plug the DB25 side of the null adaptor into your modem.
- 6) Click UTILITIES - MODEM - MODEM SETUP.
- 7) Under "STARGATE's Modem," in the "Answer on Ring" box, type the number of rings you want Stargate to wait before answering. Click OK.
- 8) Connect the incoming phone line from the phone company to the "LINE" (input) jack of your external modem.
- 9) Connect STARGATE's "CO Line Input" jack to the "TEL" (output) jack of your external modem.

If modem connects but does not respond, Click UTILITIES - MODEM - MODEM SETUP and replace the modem setup string with the following: ATSO=9&R1&D0&K0&H0&M0Y0&W0 then click OK.

* COM3 can be used instead of COM2.

SETUP AND PROGRAMMING

- 1) Add an event to your WinEVM schedule to connect the modem when a specific touchtone code is received.

EVENT: Modem Connect

If:

Tel Seq: 1234# received within 10 seconds

Then:

ASCII Out: 'ATA' [COM2]

End

- 2) Add the specific touchtone code to the "Dial PC Modem" string when calling from a remote pc. Be sure to add enough commas between the phone number and the touchtone code to allow time for Stargate's voicemail greeting to answer before the code gets sent. (Allow 6 seconds for each ring.)

